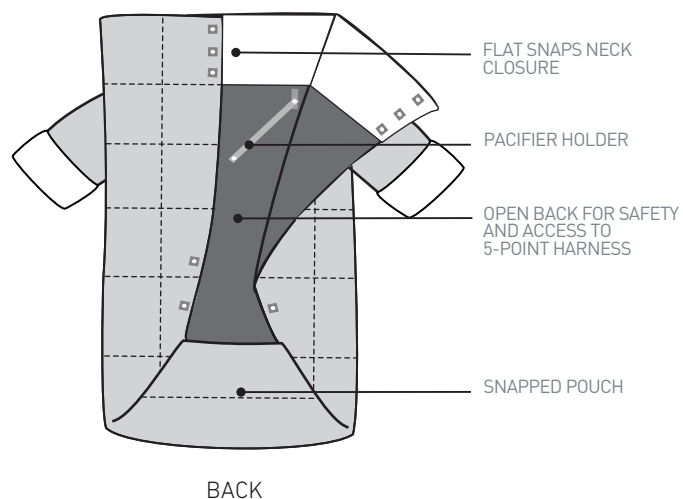
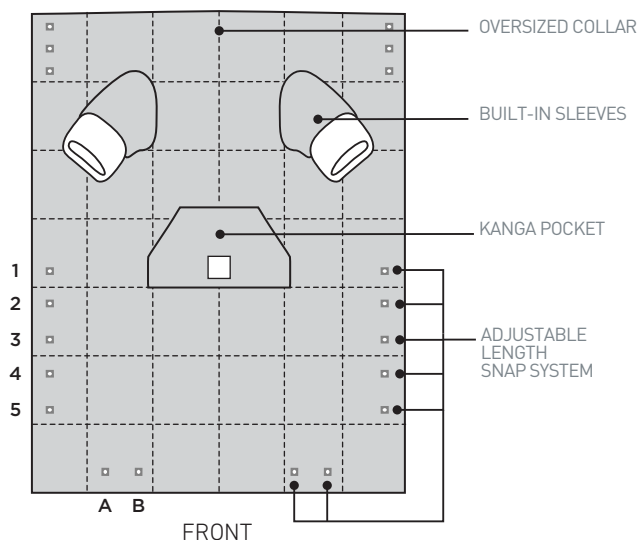


**7 A.M.<sup>®</sup>**  
**ENFANT**  
P A R I S  
N E W Y O R K

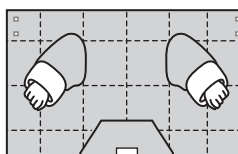
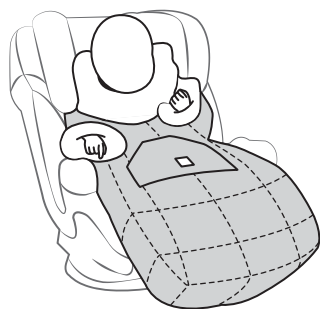
**User Manual**  
**EASY COVER**

# User Manual

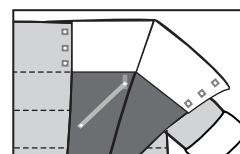
## EASY COVER



### HOW TO USE ON CARSEAT

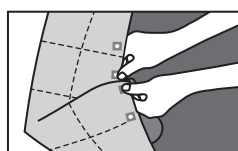


- 1 Seat your child in the car seat and fasten the safety harness as per manufacturer's instructions.
- 2 Pull your child's arms through the built-in sleeves and roll them up as desired.

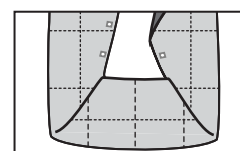


- 3 Snap the oversized collar at the back of the neck.
- 4 To create a leg pouch for your child, adjust the length by starting with either the right or left side and see steps A, B, C below.

#### ADJUSTING LENGTH POUCH



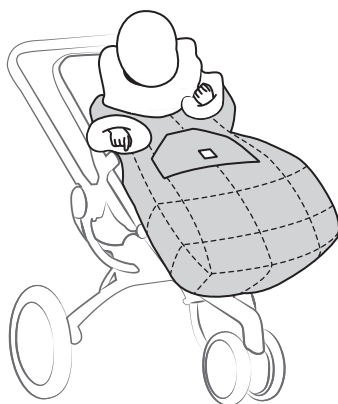
- A. Fold the corner inward.
- B. Secure corner closed using snaps A or B to connect with 5, 4, 3, 2, or 1 to your child's height.



- C. Repeat steps 4a and 4b for the other side.

- 5 The Easy Cover can be used in the same way indoors either on the couch or at sleepovers and even at chilly outdoor sport games.

### HOW TO USE ON STROLLER



To use on stroller, simply follow the steps 1 through 6 above.

The Easy Cover is machine washable. Remove the faux fur trim before machine washing. The care label is located on the internal side of the product.